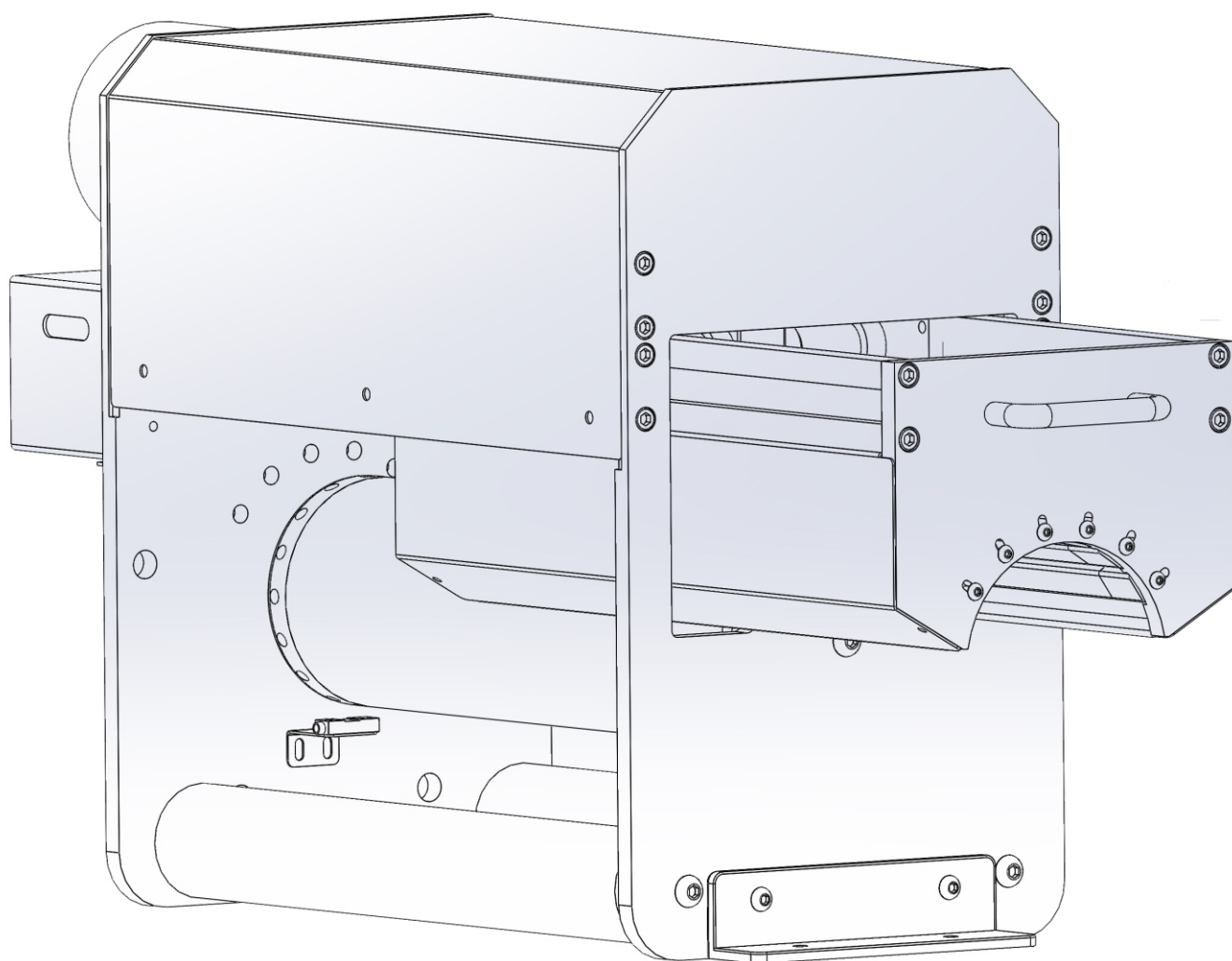


CORONA TREATMENT SYSTEM

FOR NARROW WEB



IEEC
We give the best treatment



44 YEARS OF TRUST

Established in 1969 in Mumbai, India, Industrial Electronics Equipment Corporation (IEEC) is a leading supplier of Electronic Process Control Equipment, and a pioneering developer of quality Corona & Plasma Treatment systems, Automation Solutions and Moving Band Pinning Systems for BoPET films.

IEEC caters to clients all over the world, providing them with specific solution and custom developed equipment in the field of Extrusion, Converting and Surface Pre-treatment applications.

Backed by intensive in house Research & Development, supported by excellent after-sales service. IEEC delivers total customer satisfaction by continually improving its products and services.

CORONA TREATMENT

FOR NARROW WEB

INTRODUCTION

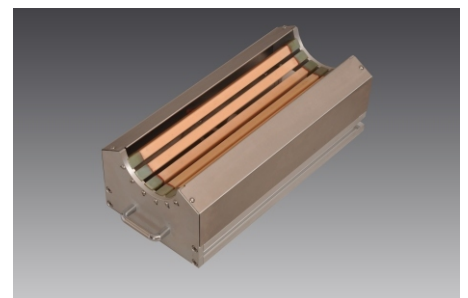
Corona Treatment is very essential in label printing especially when the label is made from plastic substrate. The ink tends to become blemished due to its inability to bond with the plastic. This problem occurs because the surface tension of the plastic is insufficient for proper bonding. A quality Corona treatment is necessary to ensure the perfect label print quality.

IEEC'S Narrow Web Corona Treatment System is not only designed for our customers but also for their customers as our system helps you obtain excellent quality, long lasting print.

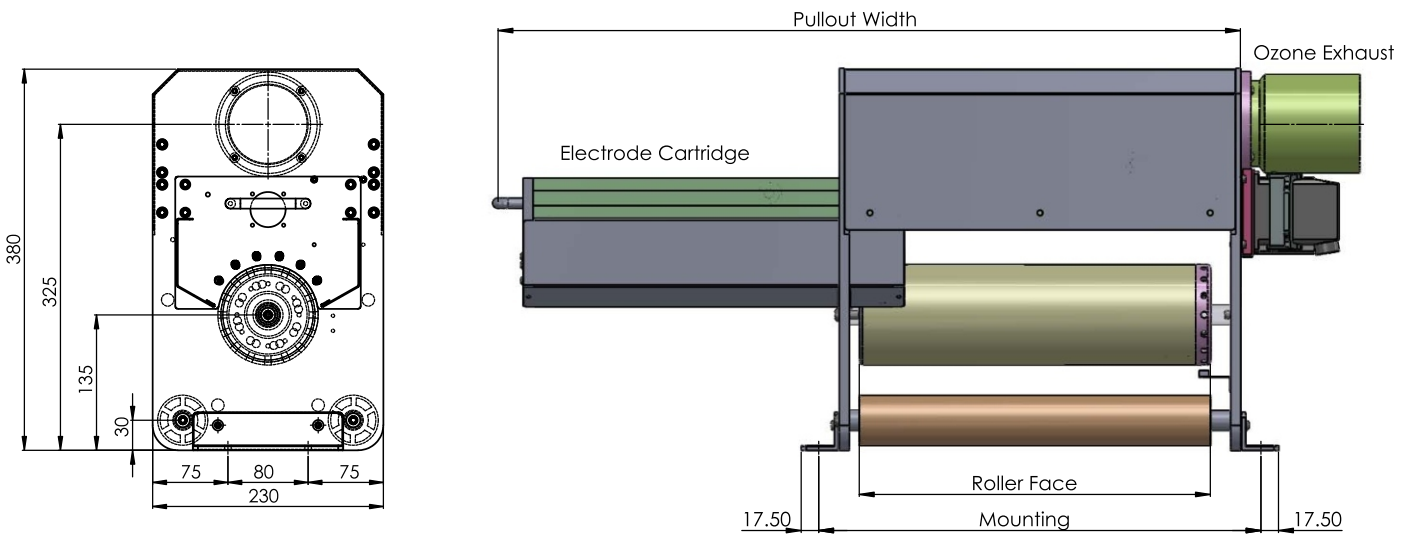
Often, our customers discover that batches of incoming material have low dyne level (surface adhesion) or that the dyne level of the material on stock has decreased due to heat or humidity. Due to the low dyne level, the print quality is not acceptable and to ensure good printing, the narrow web printing press cannot run at full speed. To ensure productivity at max. speed we need to corona treat the material before printing.

IEEC's Narrow Web Corona Systems are used for enhancing the surface tensions of already treated materials to create high adhesion ability. A common problem in the narrow web industry is the necessity for using top coated materials which have been chemically altered in order to obtain a high surface adhesion for inks. The top coated materials are more expensive to purchase than regular materials. By installing IEEC's Narrow Web Corona treater on your narrow web press, you might eliminate the need for using top-coated materials and thereby decrease production costs significantly.

Both side Corona Treatment is also available with our compact dual side Corona Treater station.



Specifications



General Specifications

Web Widths	250-560mm
Line Speed	1-400m/min
Side for Treatment	Single or Double
Electrodes	Ceramic (max 06 nos.)
Roller Diameter	∅ 100 mm
Roller Coating	Ceramic (Optional)
Mounting	Cantilevered or Base Mounting

Technical Specifications

Treatment Width	Roller Width	Mounting	Pullout
250mm	350mm	441mm	740mm
330mm	430mm	521mm	820mm
410mm	510mm	601mm	900mm
480mm	580mm	671mm	9770mm
560mm	660mm	751mm	1050mm
Higher Widths Upon Request			

FEATURES

BENEFITS



Easy Push Pull Electrode Magazine

The electrodes are placed in an easily removable Push Pull Magazine. This ensures easy cleaning and changing of the complete set of electrodes within seconds, and thereby providing reduced maintenance costs and increased productivity.



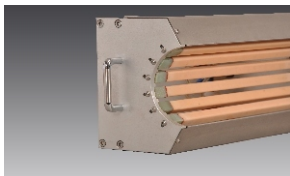
Dual Side Plates

To ensure High stability and precision, IEEC's Narrow-Web Treater have thick dual side plates. This makes the installation easy and also provides stability to the web.



Ceramic Coated Roller Options

IEEC's Rollers are statically and dynamically balanced and are specially designed for easy rotation through Web Tension. IEEC's Narrow Corona also comes with a Ceramic coated roller option, to ensure efficient uniform Treatment through High definition Corona Discharge



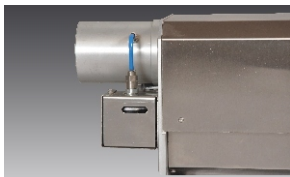
High Definition Ceramic Electrodes

IEEC's Narrow Web Corona stations are equipped with High Definition ceramic electrodes for treatment of both electrically conductive substrates and non-conductive films. The electrode magazine can have 6 electrodes to meet Treatment challenges for difficult materials by increasing the dwell.



Proximity Sensor- Pulse Block

To ensure minimal area go untreated during process stop, IEEC's corona generators come with unique pulse block option. In the event of web stoppage the corona discharge stops momentarily to avoid damage to the film. A slightest movement of the roller initiates the corona power to its preset level thereby ensuring uniform treatment along the running length.



Ozone Extraction and Negative Pressure Switch

IEEC's Narrow Web Corona Treaters have aerodynamically designed ozone extraction duct systems to ensure proper removal of ozone. They also ensure electrode cooling for durability and longer life. Negative pressure switch ensures proper functioning of ozone extraction and electrode cooling system.



Cables With Heavy Duty Conduit

All IEEC's Narrow Web Corona Treaters come with supply of 5 meters communication and power cables inside Heavy duty conduits to ensure durable and longer life. Also it avoids any noise or pickups caused form other cables interfering with corona performance.



Double Silicon Sheathed SS Braided cable

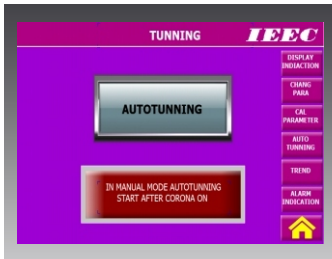
IEEC's Narrow Web Corona Treaters come with Double silicon sheathed SS Braided power cables to ensure minimum power loss and noise free operation. Also it ensures maximum human safety.

FEATURES

BENEFITS

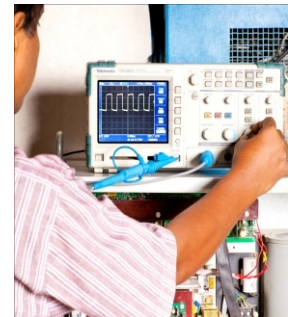
MMI

IIEC's RFG - 1 is equipped with MMI(Man Machine Interface). It is a specially designed user interface which has an LCD display over which one can read the running and calibration parameters. It also has keys by which one can adjust corona power and also set the parameters. It is very user friendly and has lock codes to avoid unauthorized use of the system.



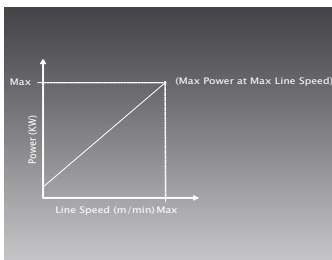
Auto-Tuning

All IIEC Corona Generators are programmed with special auto tuning feature by which the operating frequency is automatically tuned to the material and air gap between the electrode and roller. This feature makes all IIEC Corona Generators, universal and compatible to almost all type to Treating Stations. It also increases efficiency and ensures uniform treatment over different substrates.



High Frequency

All IIEC Corona Generators are specially designed to operate at High Frequency. This helps in retaining treatment for a longer time over the substrate



Auto Watt Density Control

All IIEC Corona Generators comes with this unique feature. This ensure uniform treatment by automatically controlling corona power in direct proportion to the machine speed. As the speed of the machine increases the power dissipation at the load also increases.

High Voltage Transformer TX-RFG1

IIEC Transformers are compact and specially designed for High Frequency operations. The dielectric used is Gel based which makes these transformers absolutely maintenance free. It also assures High efficiency and reduced power loss.

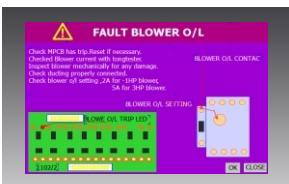
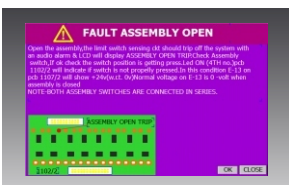
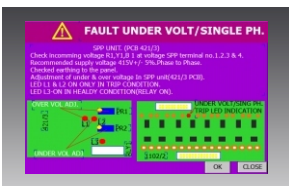
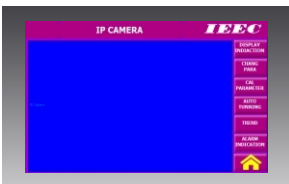
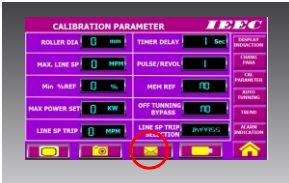


Heavy Duty Plug Socket Connectors

All IIEC's Corona Generators come with Non-Interchangeable Heavy duty plug socket connector's to ensure error free connections and easy and quick installation.

FEATURES

ZRFG 1-OPTION



Z SERIES CORONA GENERATORS OPTION

IEEC's Narrow Web Corona Treaters are also available with an option of Z Series Corona Generators which have various features as listed below. Z- Series Generators have Touch Screen Display with remote control feature which offers remote monitoring and control of Corona Generator. Z- Series Generators can be controlled through PC's, Smart Phones, Tablets, PDA's or virtually any Mobile Device. It offer real time surveillance and data view from Factory, Office, Home or any Ethernet connected Device.

Calibration Parameters

IEEC's Z Series Corona Generators have Special Interface for the Parameter calibration to ensure efficient and proper usage of the system.

IP Camera For Wireless Remote Control And Monitoring option:

IEEC's Z Series Corona Generators comes with special camera feature which can help in remote controlling and monitoring the real time parameters.

Fault Indications And Acknowledgment

IEEC's Z Series Corona Generators ZRFG1 are especially programmed to display Faults and safety trips. This is very important for the safe running of the system. By pressing the acknowledge touch key on the touch screen, one can not only acknowledge the fault but understand the cause and ways to rectify the problem. This ensures reduced down times and increased productivity. ZRFG1 is loaded with various faults and safety trip indications as listed below.

- ASSEMBLY OPEN TRIP
- UNDER VOLTAGE/SINGLE PH. TRIP
- BLOWER OVERLOAD TRIP
- ELECTRONIC OVERLOAD TRIP
- THERMAL TRIP
- ZERO SPEED TRIP
- OFF TUNE TRIP etc.

PBJ - INDUSTRIAL ELECTRONICS PVT. LTD.

IEEC House, 72 BCD, Govt. Industrial Estate, Charkop, Kandivli (W), Mumbai - 400 067, INDIA.

•Tel.:+91-22-42418282 •Fax. : +91-22-42418281

E-mail: info@ieecpbj.com • Website : www.ieecpbj.com

CUSTOMER SUPPORT CENTERS: • Ahmedabad • Bengaluru • Chennai • Delhi • Hyderabad • Kanpur • Kolkata • Mumbai • Vapi

